



PLTW Virtual Learning

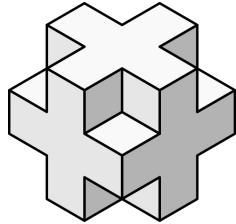
6th Grade Intro to Gateway

May 1, 2020

6th Grade Intro to Gateway Lesson: May 1 (Part 5 of 5)

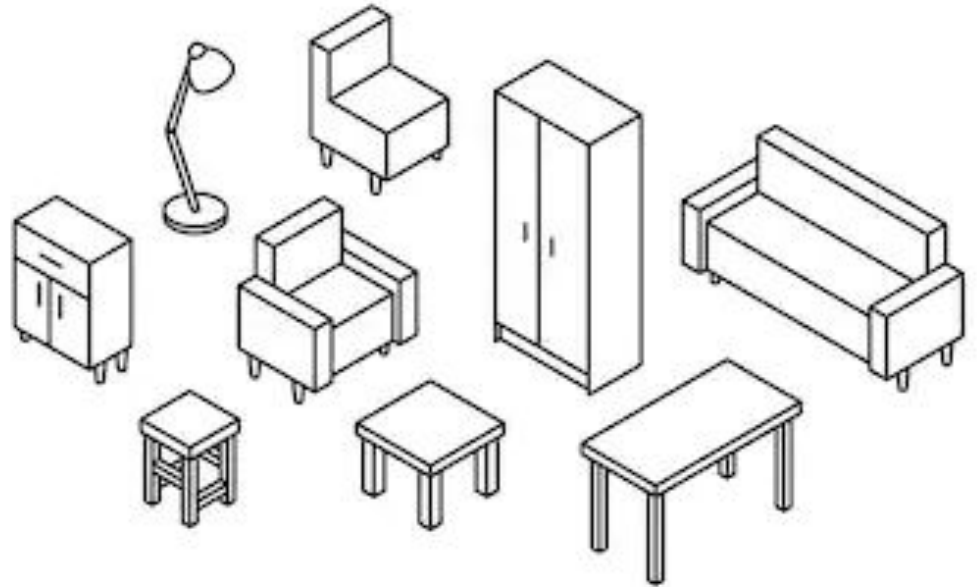
Objective/Learning Target:

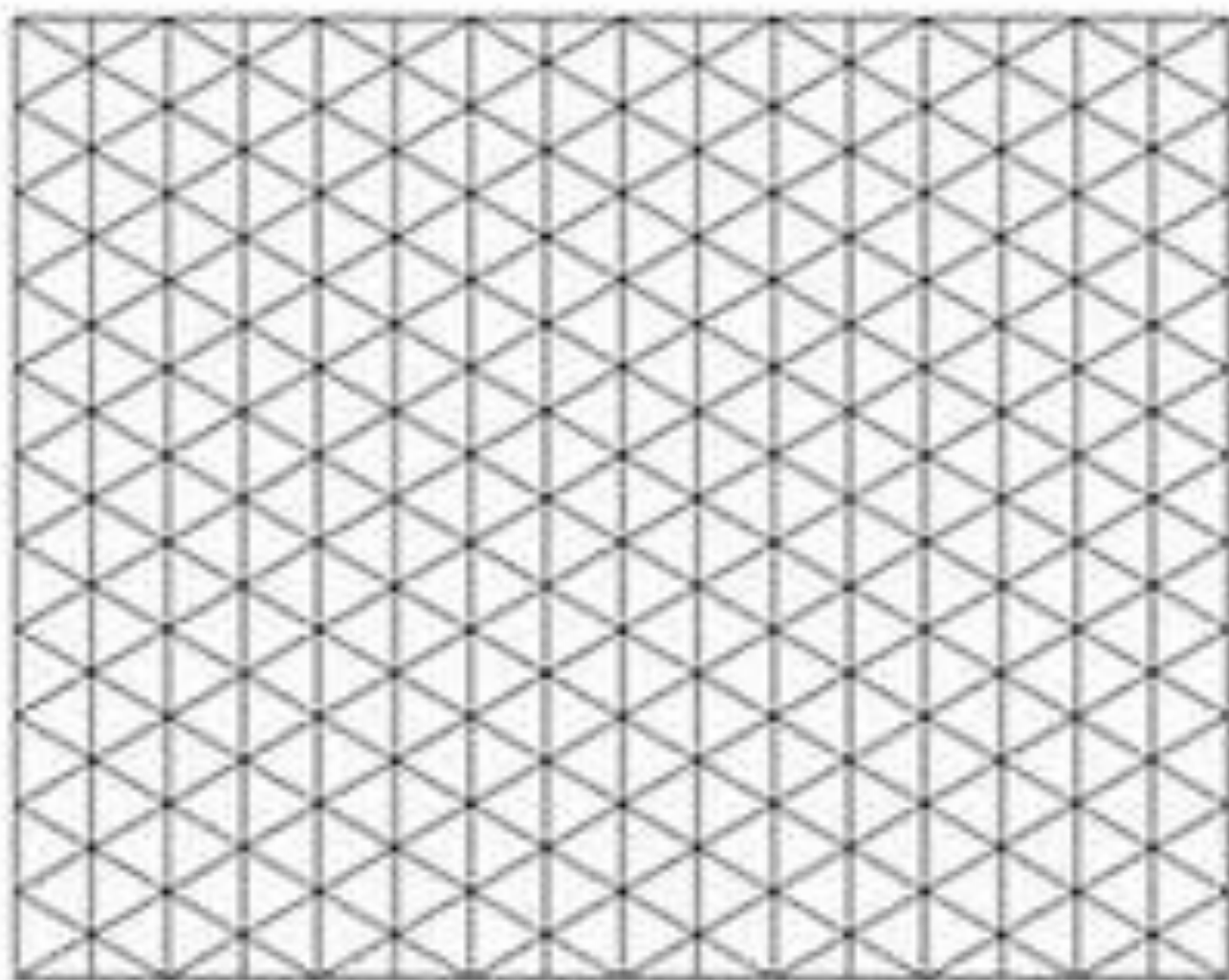
Students will understand when engineers use isometric views and apply these drawings in a real world situation.



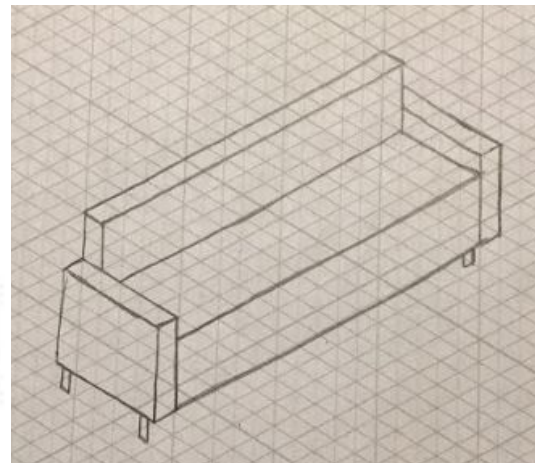
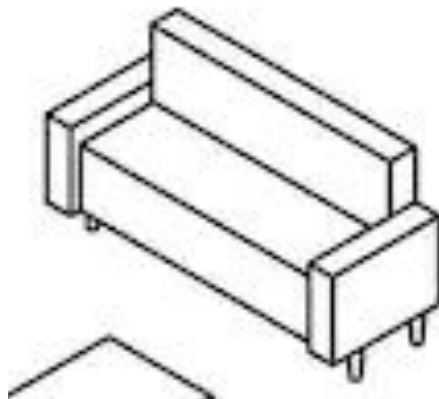
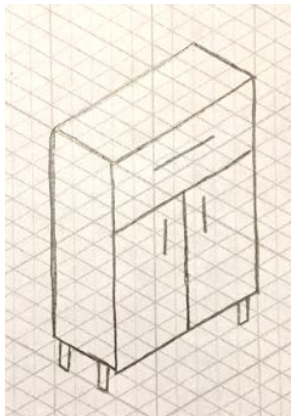
Warm-Ups:

Today I want you to draw 2 of these pieces of furniture, but flip it across a vertical line.





Examples:

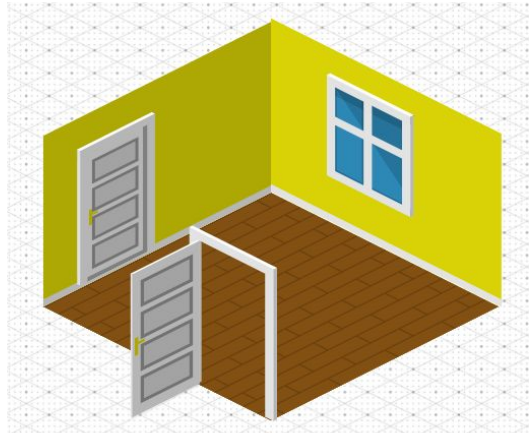


Lesson Introduction/Background Information:

It is Day 2 of room design. You should have the structure of your bedroom complete.

You will need the tab open from yesterday with the following website:

<https://icograms.com/icograms-designer.php>



Practice:

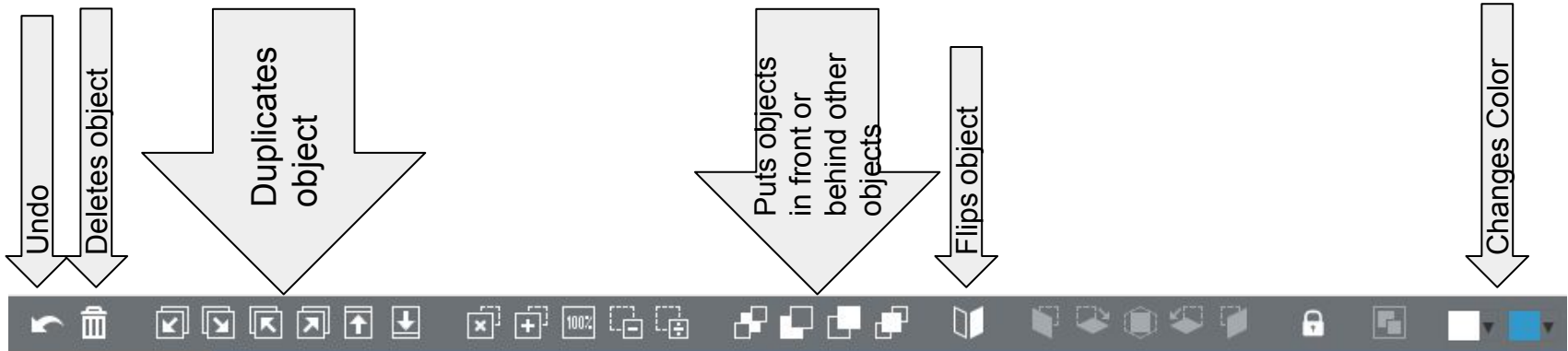
Today we are going to fill the space with furniture to complete the design.



Practice:

All of the drawing tools are the same as yesterday. If you need to review how to resize, flip, or change the color here is the video. There are a couple other tools that may be useful today so refer to the picture below.

Watch Video: [Isometric Room Part 1](#)

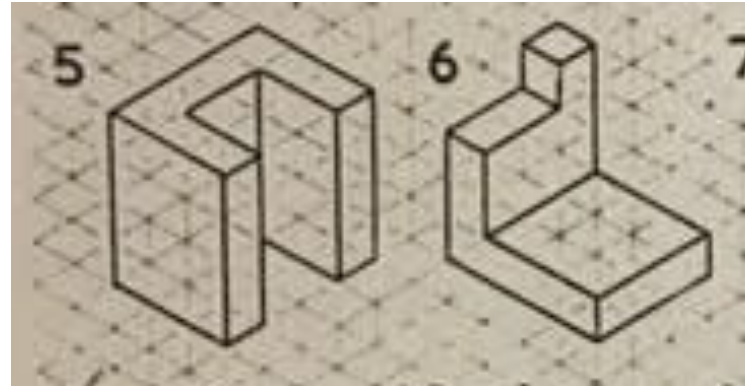


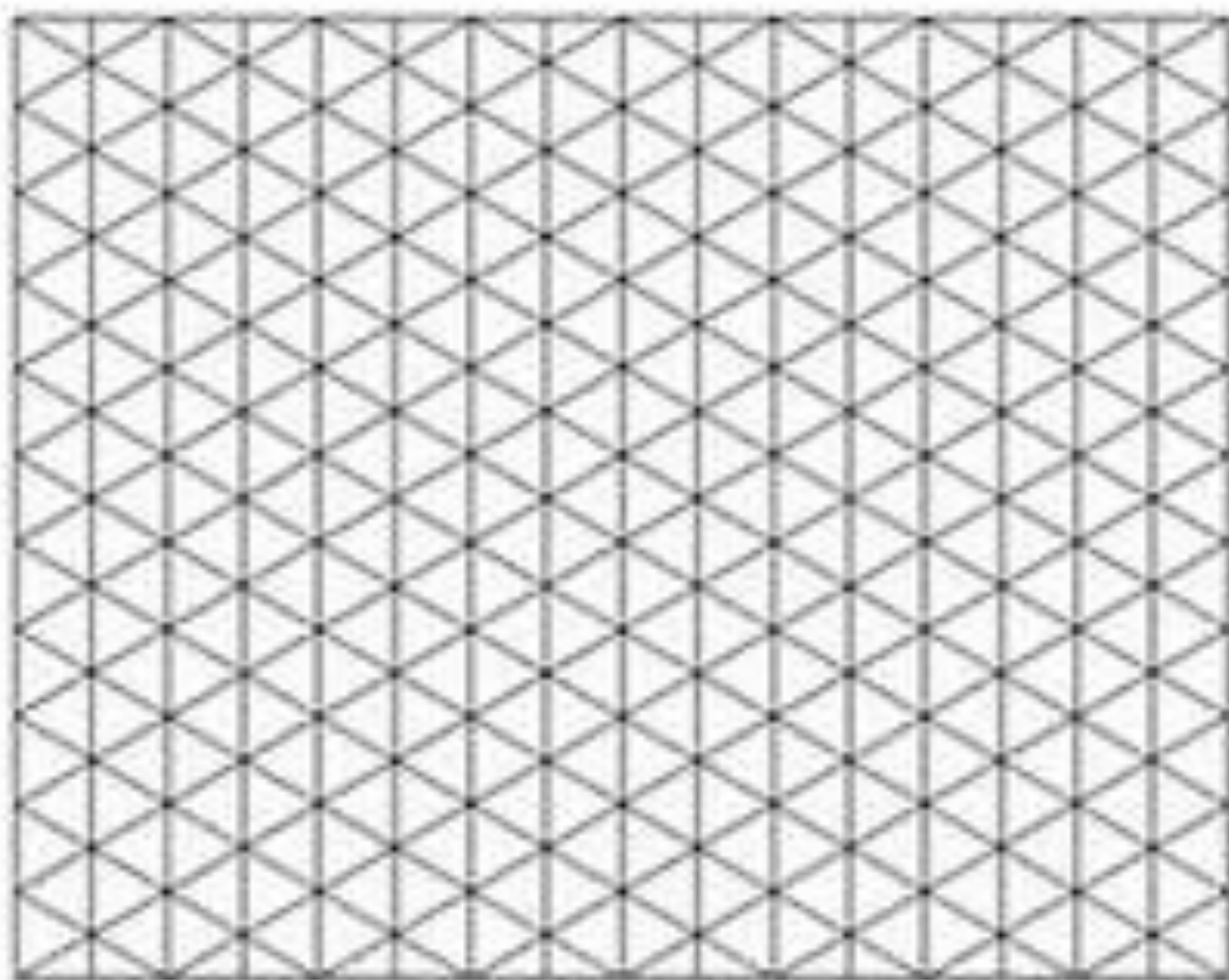
Self-Assessment:

Isometric drawings show the _____, _____, and _____ view of an object.

Shapes are drawn with _____ lines and corner angles at _____.

Draw these two objects in isometric view. Bonus: Draw them again but flipped a different direction.



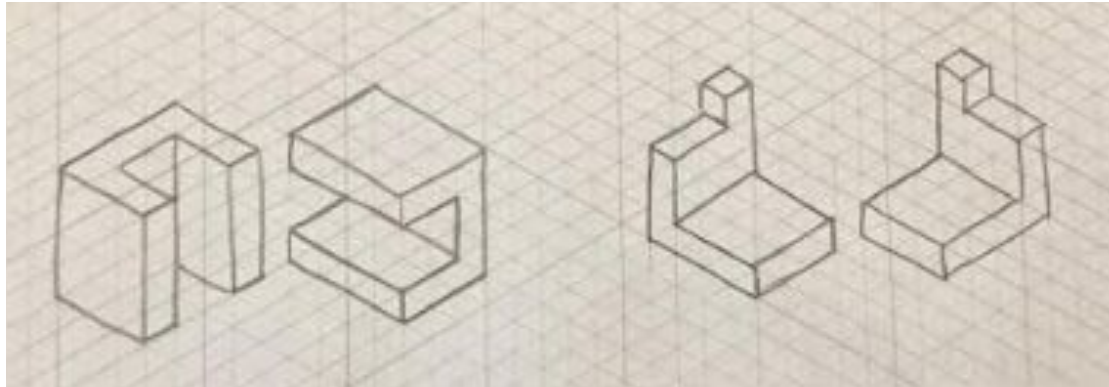


Self-Assessment **Answers:**

Isometric drawings show the **front**, **top**, and **side** view of an object.

Shapes are drawn with **parallel** lines and corner angles at **120°**.

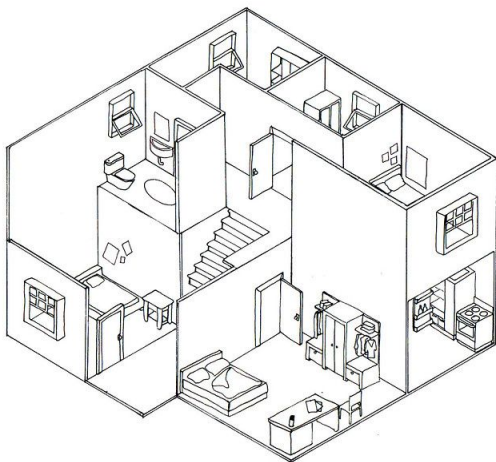
Draw these two objects in isometric view. Bonus: Draw them again but flipped a different direction (**answers will vary**).



Extend Your Learning/Continued Practice:

Click on the links below to get additional practice and to check your understanding!

You don't have to stop at your bedroom. If you would like to draw your whole house, go for it!



If you would like more practice hand drawing in isometric view, try drawing the letters in your name.

